

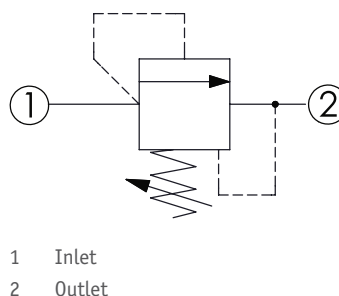
CRD-3A - Relief valve

Direct acting, spool

1 Available versions

Ordering example:

CRD-3A	-27	-35	-L
Type	Operation	Pressure setting	Option



Operation

Coding	Description
27	Direct acting port 1 to 2 (P to T)

Pressure setting

Coding	Pressure (bar)	
	Adjustment range	Standard setting
35	0 - 3.5	1
70	0 - 7.0	3

Option

Coding	Option	Drawing
L	Leakproof hex. socket screw	
BA	Handknob and aluminum locknut	
K	Handknob with lock knob	

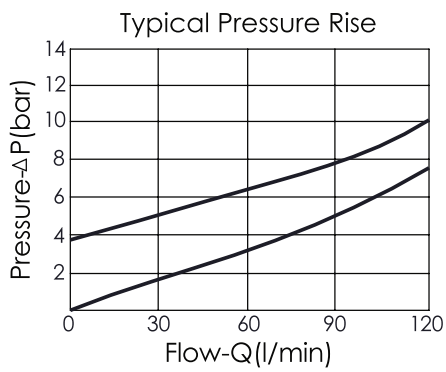
2 Technical data

Operating pressure p_{\max}	350 bar
Flow rate Q_{\max}	60 l/min
Installation torque	60 - 70 Nm
Cavity	T-3A
Weight	<ul style="list-style-type: none"> ▪ L: 0.24 kg ▪ BA: 0.27 kg

i INFORMATION

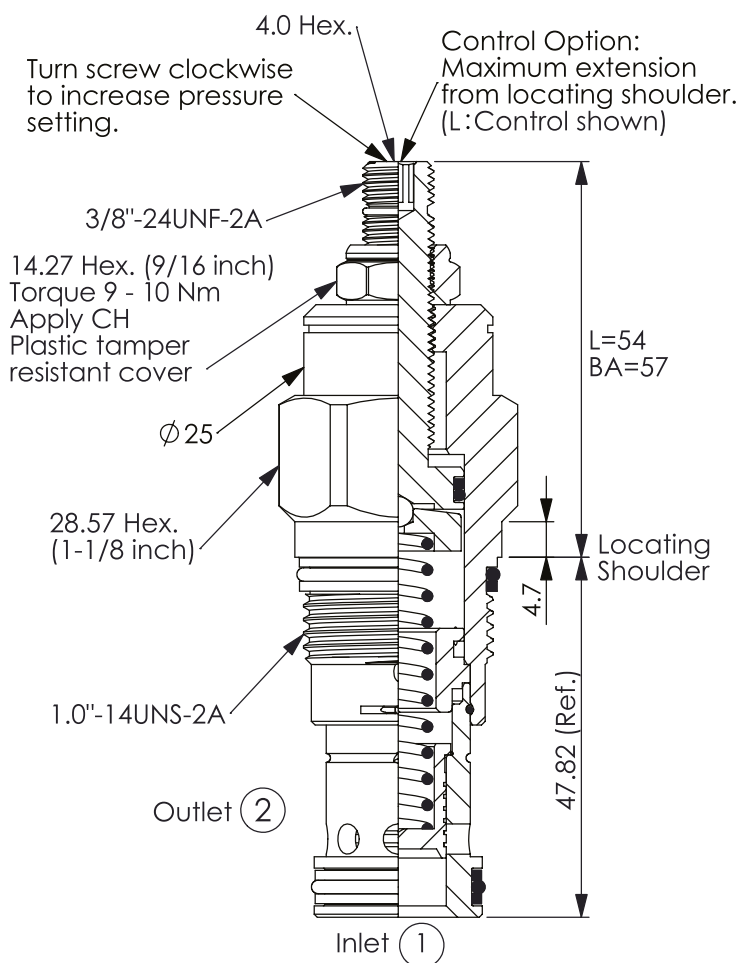
- Response time-typical (2 ms)
- Maximum leakage approximately (50 cm³/min/70 bar)

Characteristic lines



3 Dimensions

All dimensions in mm, subject to change.



4 Other information

see [Technical information HAWE cartridge valves: D 8219](#)

see [Recommendation for hydraulic fluid: D 5488/1](#)

